

# KÄRCHER

## K 2 Power Control

English  
العربية

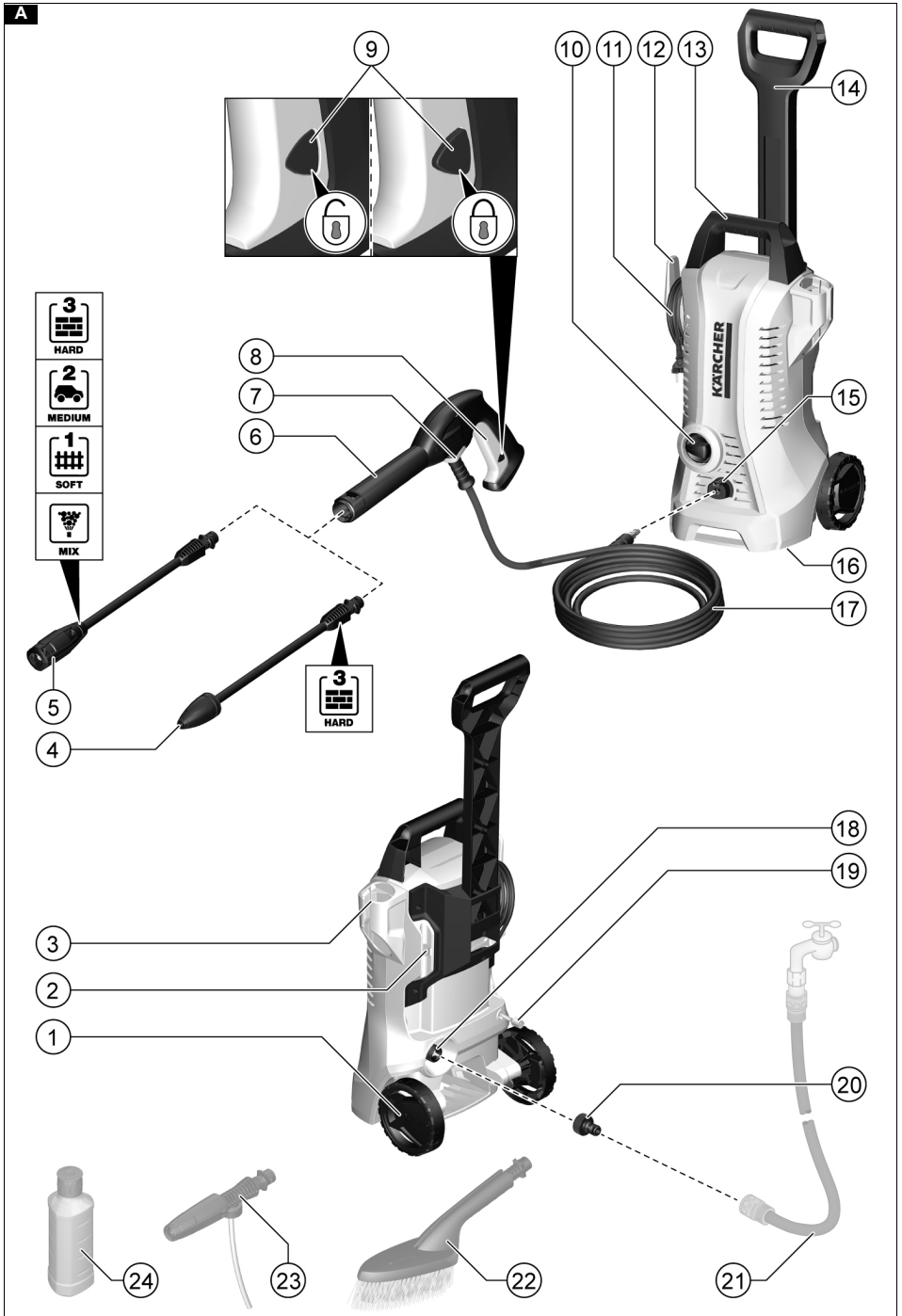


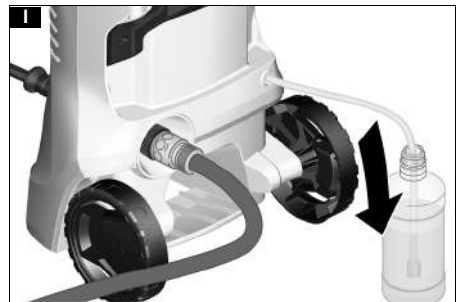
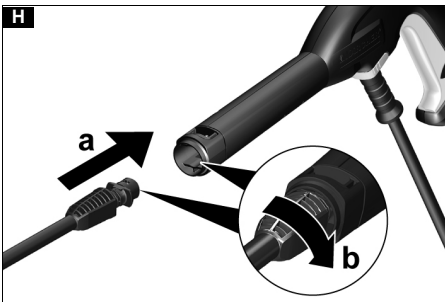
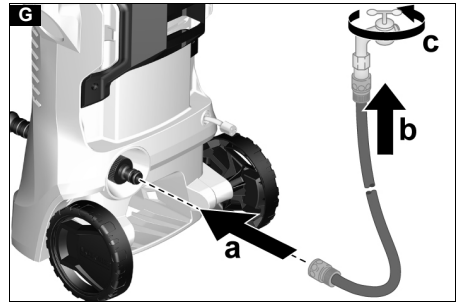
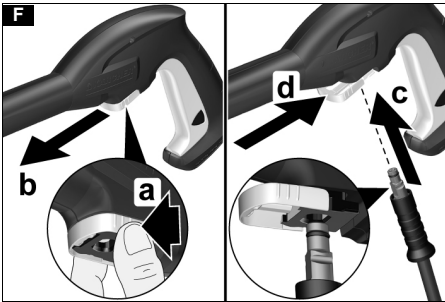
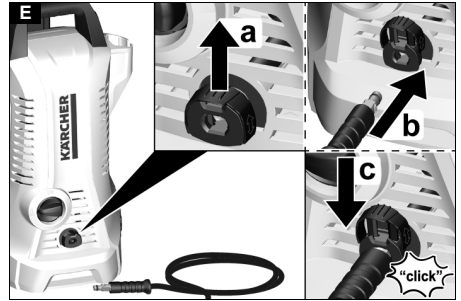
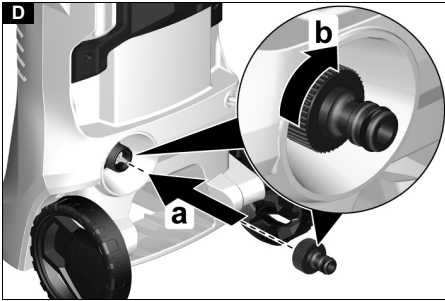
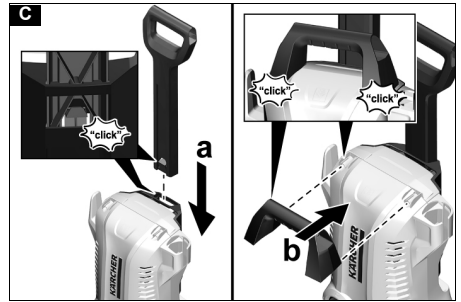
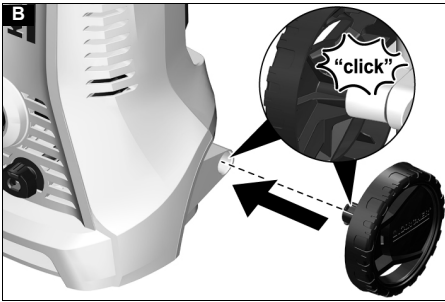
**Register  
your product**  
[www.kaercher.com/welcome](http://www.kaercher.com/welcome)

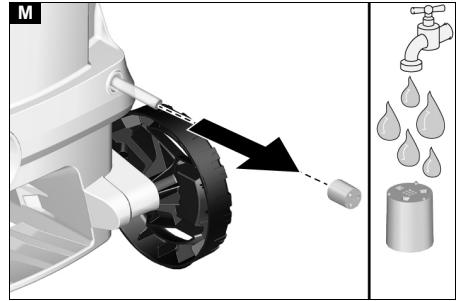
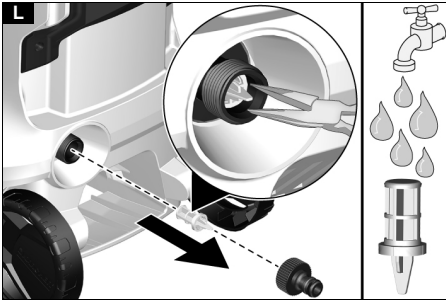
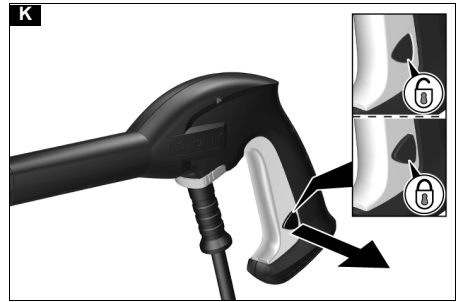
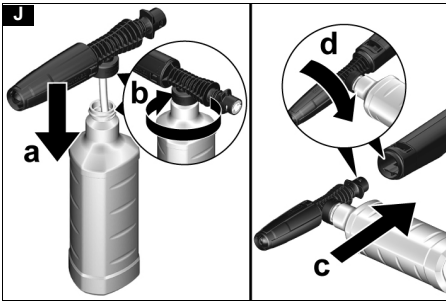


59697190 (01/22)

A







## Contents

KÄRCHER Home & Garden app .....	5
Safety instructions .....	5
Environmental protection .....	6
Intended use .....	6
Accessories and spare parts .....	6
Scope of delivery .....	6
Description of the device .....	7
Safety devices .....	7
Symbols on the device .....	7
Assembly .....	7
Initial startup .....	7
Operation .....	8
Transport .....	9
Storage .....	9
Care and service .....	9
Troubleshooting guide .....	9
Technical data .....	10
Declaration of Conformity .....	10
EU Declaration of Conformity .....	10

## KÄRCHER Home & Garden app

The KÄRCHER Home & Garden app contains:

- Installation and initial startup information
- Information about the areas of application
- Tips & Tricks
- FAQ with detailed troubleshooting
- Connection to the KÄRCHER Service Centre

The app can be downloaded here:



### Trademarks

- Google Play™ and Android™ are trademarks or registered trademarks of Google Inc.
- Apple® and App store® are trademarks or registered trademarks of Apple Inc.

## Safety instructions



Read this safety chapter and these original instructions before using the device for the first time. Act in accordance with

them. Keep the original instructions for future reference or for future owners.

- In addition to the notes in the operating instructions, you also need to take into consideration the general safety regulations and accident prevention guidelines applicable by law.
- Warnings and information notices attached to the device provide important information for hazard-free operation.

## Hazard levels

### ⚠ DANGER

- Indication of an imminent threat of danger that will lead to severe injuries or even death.

### ⚠ WARNING

- Indication of a potentially dangerous situation that may lead to severe injuries or even death.

### ⚠ CAUTION

- Indication of a potentially dangerous situation that may lead to minor injuries.

### ATTENTION

- Indication of a potentially dangerous situation that may lead to damage to property.

## Protective gear

- ⚠ **CAUTION** • Wear suitable protective clothing and safety goggles to protect yourself from water or dirt backsplash. • Aerosols can be formed when using high-pressure cleaners. Inhaling aerosols can be harmful for your health. Depending on the application, the use of fully shielded nozzles (e.g. surface cleaners) can significantly lower the emission of aqueous aerosols. Depending on the environment to be cleaned, wear a suitable respiratory protective mask of class FFP 2 or comparable to protect yourself from inhaling aerosols if the use of a fully shielded nozzle is not possible.

## General safety instructions

- ⚠ **DANGER** • Risk of asphyxiation. Keep packaging film out of the reach of children.

- ⚠ **WARNING** • Only use the device for its proper use. Take into account the local conditions and beware of third parties, in particular children, when working with the device. • Persons with reduced physical, sensory or mental capabilities and persons lacking experience and knowledge may only use the appliance if they are properly supervised, have been instructed on use of the appliance safely by a person responsible for their safety, and understand the resultant hazards involved. • Children must not operate the device. • Children must be supervised to prevent them from playing with the appliance.

- ⚠ **CAUTION** • Safety devices are provided for your own protection. Never modify or bypass safety devices.

## Risk of electric shock

- ⚠ **DANGER** • Only connect protection class I devices to properly earthed power sources. • Only connect the device to alternating current. The voltage indicated on the type plate must match the voltage of the power source. • Only operate the device via a fault current protection switch (maximum 30 mA). • Never touch the mains plug and socket with wet hands. • The mains plug and coupling of the extension cable must be water tight and may not be placed in water. The coupling may not be on the floor. Use cable drums to ensure that the sockets are at least 60 mm above the floor. • All live parts in the work area must be protected against water jets.

- ⚠ **WARNING** • Only connect the device to an electrical connection which has been set up by a qualified electrician as per IEC 60364-1. • Check that the mains connection cable with mains plug is undamaged each time before using the device. To avoid any possible danger, a damaged mains connection cable must be immediately replaced by the manufacturer, or the authorised customer service department or a qualified

electrician. • Do not damage the power supply and extension cable by running over it, crushing or yanking it or similar. Protect the power supply cable from heat, oil and sharp edges. • Unsuitable electrical extension cables are dangerous. Only use approved and appropriately marked electrical extension cables with a sufficient line cross section when outdoors: 1-10 m : 1.5 mm<sup>2</sup>, 10-30 m : 2.5 mm<sup>2</sup>

**⚠ CAUTION** • Always fully unwind the extension cable from the cable drum. • In case of longer breaks in operation and after use, switch off the device at the main switch / device switch and pull the mains plug.

### Operation

**⚠ DANGER** • Operation in explosive atmospheres is prohibited. • Never suction solvents, liquids containing solvents or undiluted acids. This includes e.g. petrol, paint thinner or heating oil. The spray mist is highly flammable, explosive and poisonous. • Damaged wheels / tyre valves are extremely dangerous. Damaged wheels / tyre valves can be damaged by the high-pressure jet and explode. The first sign of this is discolouration of the tyres. Keep a spray distance of at least 30 cm when cleaning the wheels / tyre valves.

**⚠ WARNING** • Do not use the device if people without the proper protective clothing are in its reach. • Do not aim the high-pressure jet at yourself, e.g. to clean clothes or shoes. • Do not direct the high-pressure jet at persons, animals, live electrical equipment or at the device itself. • Do not spray any objects which contain harmful substances (e.g. asbestos). • Check the device and the accessories, such as the high-pressure hose, high-pressure gun and safety devices, to make sure they are in proper safe and reliable condition before each operation. Do not use the device if it is damaged. Replace damaged components immediately. • Only use high-pressure hoses, control panels and couplings specified by the manufacturer. • Risk of scalding. When disconnecting the supply or high-pressure hose, hot water can leak out of the connections after operation.

**⚠ CAUTION** • According to the applicable regulations, the appliance may never be used with the drinking water network without a system separator. Ensure that the connection to your house water system, with which the high-pressure cleaner is operated, is equipped with a system separator according to EN 12729 type BA. • Water that has flowed through a system separator is no longer classified as drinkable. • Never leave the device unsupervised while it is in operation. • Recoil force from the water stream emerging at the high-pressure nozzle acts on the high-pressure gun. Keep proper footing and hold the high-pressure gun and spray lance firmly. • Accidents or damage due to the device falling over. Before all actions with or on the device, you must make sure that it is stable.

**ATTENTION** • Do not operate the device at temperatures below 0 °C.

### Operation with detergent

**⚠ WARNING** • Incorrect use of detergents can cause serious injuries or poisoning.

**⚠ CAUTION** • Keep the detergent out of the reach of children. • Only use the detergents supplied or specified by the manufacturer. The use of other detergents or chemicals can impair the safety of the device.

### Care and service

**⚠ WARNING** • Always pull out the mains plug before all care and maintenance work.

**⚠ CAUTION** • Have repair work and work on electrical components carried out by the authorised customer service only.

**ATTENTION** • Do not use acetone, undiluted acids or solvents, as they corrode the materials used on the device.

### Transportation

#### ⚠ CAUTION

• Risk of accidents and injuries. Take into account the weight of the device for transportation and storage. See chapter Technical data in the operating instructions.

### Environmental protection



The packing materials can be recycled. Please dispose of packaging in accordance with the environmental regulations.



Electrical and electronic appliances contain valuable, recyclable materials and often components such as batteries, rechargeable batteries or oil, which - if handled or disposed of incorrectly - can pose a potential danger to human health and the environment. However, these components are required for the correct operation of the appliance. Appliances marked by this symbol are not allowed to be disposed of together with the household rubbish.



Cleaning work producing in oily waste water, e.g. washing engines, washing undercarriages etc., may only be performed at washing stations with an oil separator.



Working with detergents may only be performed on watertight surfaces with connection to the waste water sewage system. Do not allow detergent to enter waterways or the soil.

#### Notes on the content materials (REACH)

Current information on content materials can be found at: [www.kaercher.de/REACH](http://www.kaercher.de/REACH)

### Intended use

Use the high-pressure cleaner in private households only.

The high-pressure cleaner is intended for cleaning machines, vehicles, buildings, tools, façades, terraces, garden machines etc. using a high-pressure water jet.

### Accessories and spare parts

Only use original accessories and original spare parts. They ensure that the appliance will run fault-free and safely.

Information on accessories and spare parts can be found at [www.kaercher.com](http://www.kaercher.com).

### Scope of delivery

The scope of delivery for the appliance is shown on the packaging. Check the contents for completeness when unpacking. If any accessories are missing or in the event of any shipping damage, please notify your dealer.

## Description of the device

The maximum amount of equipment is described in these operating instructions. Depending on the model used, there are differences in the scope of delivery (see packaging).

For the illustrations, refer to the graphics page

### Illustration A

- ① Transport wheel
- ② Storage for spray lance
- ③ Storage / parking position for high-pressure gun
- ④ Power Control spray lance dirt grinder for stubborn dirt, pressure level: HARD
- ⑤ Click-Vario Power Power Control spray lance for the most common cleaning tasks, pressure levels: HARD / MEDIUM / SOFT / MIX
- ⑥ Power Control high-pressure gun
- ⑦ Clamp for connecting / disconnecting the high-pressure hose
- ⑧ High-pressure gun lever
- ⑨ High-pressure gun lock
- ⑩ Trigger "0/OFF" / "I/ON"
- ⑪ Mains connection with mains plug
- ⑫ Storage hook for power cord
- ⑬ Carrying handle
- ⑭ Transport handle, telescoping
- ⑮ Quick coupling for high-pressure hose
- ⑯ Type plate
- ⑰ High-pressure hose
- ⑱ Water connection with integrated sieve
- ⑲ Detergent suction hose
- ⑳ Water connection coupling
- ㉑ \*\*Garden hose with commonly available coupling
  - Fabric reinforced
  - Diameter of at least 1/2 inch (13 mm)
  - Length at least 7.5 m
- ㉒ \*Washing brush, suitable for working with detergents
- ㉓ \*Foam nozzle for powerful detergent foam
- ㉔ \*Detergent container

\* optional, \*\* additionally required

## Safety devices

### ⚠ CAUTION

#### Missing or modified safety devices

Safety devices are provided for your own protection. Never modify or bypass safety devices.

#### Power switch

The power switch prevents unintentional operation of the device.

#### High-pressure gun lock

The lock locks the lever of the high-pressure gun and prevents the device from starting unintentionally.

#### Auto-stop function

If the lever of the high-pressure gun is released, the pressure switch turns off the pump and the high-pressure jet stops. The pump switches on again when the lever is pressed.

## Symbols on the device



Do not aim the high-pressure jet may at persons, animals, live electrical equipment or the device itself.

Protect the device against frost.



The device may not be connected to the public drinking water network.

## Assembly

For the illustrations, refer to the graphics page.

Fit the supplied loose parts onto the device before starting up the device.

### Fitting the wheels

1. Fasten and secure the wheels to the device.

#### Illustration B

### Installing the handles

1. Attach the transport handle.
2. Attach the carrying handle.

#### Illustration C

### Installing the water connection coupling

1. Screw the water connection coupling onto the water connection on the device.

#### Illustration D

## Initial startup

1. Place the device on a flat and level surface.
2. Insert the high-pressure hose into the quick coupling until it audibly latches into place.

#### Illustration E

3. Connect the high-pressure hose to the high-pressure gun.
  - a Squeeze the clamp.
  - b Pull out the clamp.
  - c Insert the high-pressure hose.
  - d Press the clamp in until it latches into place.

#### Illustration F

4. Check for a secure connection by pulling on the high-pressure hose.
5. Plug the mains plug into a mains socket.

## Water supply

For the connection values, see the type plate or chapter *Technical data*.

Observe the water distribution company regulations.

### ATTENTION

#### Damage through contaminated water

Contamination in the water can damage the pump and the accessories.

KÄRCHER recommends using the KÄRCHER water filter for protection (special accessory, order number 4.730-059).

#### Connection to the water line

### ATTENTION

#### Hose coupling with Aquastop on the water connection of the device

##### Damage to the pump

Never use a hose coupling with Aquastop on the water connection of the device.

You can use an Aquastop coupling on the tap.

1. Plug the garden hose onto the water connection coupling.
2. Connect the garden hose to the water line.
3. Open the water tap fully.

#### Illustration G

## Operation

### ATTENTION

#### Pump running dry





Damage to the device

If pressure does not build up in the device after 2 minutes then switch the device off and proceed according to the instructions in chapter Troubleshooting guide.

### Power Control System

#### Note

The sensitivity of materials can vary greatly depending on age and condition. The recommendations are therefore not binding.

Display	Pressure level	Recommended for e.g.
 HARD	HARD	Stone terraces made of paving stones or washed concrete, asphalt, metal surfaces, garden utensils (wheelbarrow, spade, etc.)
 MEDIUM	MEDIUM	Cars / motorcycles, brick surfaces, plastered walls, plastic furniture
 SOFT	SOFT	Wooden surfaces, bicycle, sandstone surfaces, rattan furniture
 MIX	MIX	Operation with detergent

### High-pressure operation

### ATTENTION

#### Damage to painted or sensitive surfaces

Surfaces can be damaged when the jet is too close to the surface or an unsuitable spray lance is used.

Maintain a minimum spray distance of 30 cm when cleaning painted surfaces.

Do not clean car tyres, paint or sensitive surfaces such as wood with the dirt grinder.

1. Insert a spray lance into the high-pressure gun and lock it by turning it 90°.

#### Illustration H

2. Switch the device on ("I/ON").
3. Unlock the lever of the high-pressure gun.
4. Press the lever of the high-pressure gun. The device switches on.

### Operation with a washing brush

### ATTENTION

#### Paint damage

Damage to surfaces through a dirty brush

Ensure that the washing brush is free from dirt or other particles before using it.

#### Note

The device operates at low pressure when using washing brushes. This means that detergent can be mixed with the water.

1. Insert the washing brush into the high-pressure gun and turn by 90° to fasten it.

## Operation with detergent

### ⚠ DANGER

#### Failure to adhere to the safety data sheet

Incorrect handling of the detergent can seriously damage your health

Observe the safety data sheet of the detergent manufacturer, in particular the instructions on personal protective equipment.

#### Note

Detergent can only be mixed into the jet at low pressure.

#### Note

KÄRCHER detergents ensure fault-free operation. Ask us for a consultation, request our catalogue or our detergent information sheets.

1. Pull the desired length of the detergent suction hose out of the casing.

#### Illustration I

2. Hang the detergent suction hose in a container with detergent solution.
3. Use the Click-Vario Power spray lance.
4. Turn the spray lance to "MIX".  
The detergent solution is mixed with the water jet during operation.
5. You can optionally use the foam nozzle.
  - a Connect the foam nozzle to the detergent bottle.
  - b Insert the foam nozzle into the high-pressure gun and turn by 90° to fasten it.

#### Illustration J

### Recommended cleaning method

1. Spray the detergent sparingly on the dry surface and let it work for a while (do not let it dry).
2. Rinse off the loosened dirt with the high-pressure jet.

### After operation with detergent

1. Flush the device with clear water for approx. 30 seconds.

### Interrupting operation

1. Release the lever of the high-pressure gun. The device switches off when the lever is released. The high pressure in the system is retained.
2. Lock the lever of the high-pressure gun.

#### Illustration K

3. Place the high-pressure gun with the spray lance in the parking position.
4. Switch the device off "0/OFF" during work breaks longer than 5 minutes.

### Ending operation

### ⚠ CAUTION

#### Pressure in the system

Injuries from high-pressure water escaping uncontrollably

Only disconnect the high-pressure hose from the high-pressure gun or the device when the system is fully depressurised.

1. Release the lever of the high-pressure gun.
2. Close the water tap.
3. Press the lever of the high-pressure gun for 30 seconds.  
The pressure remaining in the system is discharged.
4. Release the lever of the high-pressure gun.
5. Lock the lever of the high-pressure gun.
6. Disconnect the device from the water supply.
7. Switch off the device "0/OFF".
8. Pull the mains plug out of the socket.



## Transport

### **⚠ CAUTION**

#### **Failure to observe the weight**

*Risk of injury and damage*

*Be aware of the weight of the device during transportation.*

#### **Carrying the device**

1. Lift up the device by the carrying handle, and carry it.

#### **Pulling the device**

1. Pull out the transport handle.
2. Pull the device with the transport handle.

#### **Transporting the device in a vehicle**

1. Secure the device against slipping and tipping over.

## Storage

### **⚠ CAUTION**

#### **Failure to observe the weight**

*Risk of injury and damage*

*Be aware of the weight of the device during storage.*

#### **Storing the device**

1. Place the device on a level surface.
2. Disconnect the spray lance from the high-pressure gun.
3. Disconnect the high-pressure gun from the high-pressure hose.
4. Disconnect the high-pressure hose from the device.
5. Store the high-pressure hose on the device.
6. Store the mains connection cable and accessories on the device.

Observe the additional notes before storing the device for a long period of time, see chapter *Care and service*.

#### **Frost protection**

### **ATTENTION**

#### **Danger of frost**

*Incompletely emptied devices can be destroyed by frost. Completely empty the device and accessories.*

*Protect the device from frost.*

The following requirements must be satisfied:

- The device is disconnected from the water supply.
  - The high-pressure hose is removed.
1. Switch the device on "I/ON".
  2. Wait for a maximum of 1 minute until no more water escapes from the high-pressure connection.
  3. Switch off the device.
  4. Store the device in a frost-protected room, together with all accessories.

## Care and service

### **⚠ DANGER**

#### **Danger of electric shock**

*Injuries due to touching live parts*

*Switch off the device.*

*Remove the mains plug.*

The device is maintenance-free, i.e. you do not need to perform any maintenance work.

#### **Clean the sieve in the water connection**

### **ATTENTION**

#### **Damaged sieve in the water connection**

*Damage to the device through contaminated water*

*Check the sieve for damage before inserting it in the water connection.*

1. If necessary, clean the sieve in the water connection.
1. Remove the water connection coupling.
2. Pull the sieve out using flat pliers.

3. Clean the sieve under running water.

#### **Illustration L**

4. Insert the sieve into the water connection.

#### **Clean the detergent filter**

Clean the detergent filter before longer periods of storage.

1. Pull the filter off the detergent suction hose.
2. Clean the filter under running water.

#### **Illustration M**

## Troubleshooting guide

Malfunctions often have simple causes that you can remedy yourself using the following overview. When in doubt, or in the case of malfunctions not mentioned here, please contact your authorised Customer Service.

### **⚠ DANGER**

#### **Danger of electric shock**

*Injuries due to touching live parts*

*Switch off the device.*

*Remove the mains plug.*

#### **Device not running**

1. Press the lever of the high-pressure gun.  
The device switches on.
2. Check that the voltage specified on the type plate corresponds to the voltage of the power source.
3. Check the mains connection cable for damage.

#### **Device does not reach required pressure**

The water supply is too low

1. Open the water tap fully.
2. Check the water inlet for an adequate flow rate.

The sieve in the water connection is dirty.

1. Pull the sieve in the water connection out using flat pliers.
2. Clean the sieve under running water.

Air is in the device.

1. Vent the device:
  - a Switch on the device without a connected spray lance for a maximum of 2 minutes.
  - b Press the high-pressure gun and wait until the water escaping from the high-pressure gun is free of air bubbles.
  - c Connect the spray lance.

#### **Strong pressure fluctuations**

1. Clean the high-pressure nozzle:
  - a Use a needle to remove dirt from the nozzle drill.
  - b Rinse the high-pressure nozzle from the front with water.
2. Check the water supply volume.

#### **Device leaking**

1. The device leaks a small amount for technical reasons. If the leak is severe, request authorised Customer Service.

#### **Detergent is not sucked in**


1. Use the Click-Vario Power spray lance and turn it to "MIX".
2. Clean the filter on the detergent suction hose.
3. Check the detergent suction hose for kinks.

## Warranty

The warranty conditions issued by our relevant sales company apply in all countries. We shall remedy possible malfunctions on your appliance within the warranty period free of cost, provided that a material or manufacturing defect is the cause. In a warranty case, please contact your dealer (with the purchase receipt) or the next authorised customer service site.  
(See overleaf for the address)

## Technical data

### Electrical connection

Voltage	V	220-240
Phase	~	1
Frequency	Hz	50-60
Current consumption	A	6
Degree of protection		IPX5
Protection class		II
Power protection (slow-blowing)	A	13

### Water connection

Feed pressure (max.)	MPa	1,2
Input temperature (max.)	°C	40
Input amount (min.)	l/min	8

### Device performance data

Operating pressure	MPa	7,4
Max. permissible pressure	MPa	11,0
Water flow rate	l/min	5,5
Maximum flow rate	l/min	6,0
Detergent flow rate	l/min	0,3
High-pressure gun recoil force	N	11

### Dimensions and weights

Typical operating weight	kg	4,8
Length	mm	246
Width	mm	280
Height	mm	586

### Determined values in acc. with EN 60335-2-79

Hand-arm vibration value	m/s <sup>2</sup>	<2,5
Uncertainty K	m/s <sup>2</sup>	0,3
Sound pressure level L <sub>pA</sub>	dB(A)	74
Uncertainty K <sub>pA</sub>	dB(A)	3
Sound power level L <sub>WA</sub> + K uncertainty <sub>WA</sub>	dB(A)	90

Subject to technical modifications.

## Declaration of Conformity

We hereby declare that the product described below complies with the relevant provisions of the following UK Regulations, both in its basic design and construction as well as in the version put into circulation by us. This declaration shall cease to be valid if the product is modified without our prior approval.

Product: High-pressure cleaner

Type: 1.673-xxx

### Currently applicable UK Regulations

S.I. 2008/1597 (as amended)  
S.I. 2016/1091 (as amended)  
S.I. 2012/3032 (as amended)  
S.I. 2001/1701 (as amended)

### Designated standards used

EN 60335-1  
EN 60335-2-79  
EN 62233: 2008  
EN 55014-1: 2017  
EN 55014-2: 2015  
EN 61000-3-2: 2014  
EN 61000-3-3: 2013  
EN IEC 63000: 2018

### Applied conformity assessment procedure

S.I. 2001/1701 (as amended): Schedule 8

### Sound power level dB(A)

Measured: 88

Guaranteed: 90

The undersigned act on behalf and under the power of attorney of the company management.



H. Jenner

Chairman of the Board of Management



S. Reiser

Director Regulatory Affairs & Certification

Documentation supervisor:

S. Reiser

Alfred Kärcher SE & Co. KG

Alfred-Kärcher-Str. 28 - 40

71364 Winnenden (Germany)

Ph.: +49 7195 14-0

Fax: +49 7195 14-2212

Winnenden, 2021/01/01

## EU Declaration of Conformity

We hereby declare that the machine described below complies with the relevant basic safety and health requirements in the EU Directives, both in its basic design and construction as well as in the version placed in circulation by us. This declaration is invalidated by any changes made to the machine that are not approved by us.

Product: High-pressure cleaner

Type: 1.673-xxx

### Currently applicable EU Directives

2006/42/EC (+2009/127/EC)

2014/30/EU

2011/65/EU

2000/14/EC

### Harmonised standards used

EN 60335-1

EN 60335-2-79

EN 62233: 2008

EN 55014-1: 2017

EN 55014-2: 2015

EN 61000-3-2: 2014

EN 61000-3-3: 2013

EN IEC 63000: 2018

### Applied conformity evaluation method

2000/14/EG: Annex V

### Sound power level dB(A)

Measured: 88

Guaranteed: 90

The undersigned act on behalf and under the power of attorney of the company management.



H. Jenner

Chairman of the Board of Management



S. Reiser

Director Regulatory Affairs & Certification

Documentation supervisor:

S. Reiser

Alfred Kärcher SE & Co. KG

Alfred-Kärcher-Str. 28 - 40

71364 Winnenden (Germany)

Ph.: +49 7195 14-0

Fax: +49 7195 14-2212

Winnenden, 2021/01/01

## البيانات الفنية

توصيل الطاقة	
220-240	V
الفلطية	
الطور	~
1	
التردد	50-60 Hz
تيار الشحن	A
6	
نوع الحماية	IPX5
فئة الحماية	II
مصهر الشبكة (محمول)	A
13	
وصلة المياه	
ضغط التدفق (الأقصى)	MPa
1,2	
درجة حرارة التدفق (القصى)	C°
40	
كمية التدفق (الدنيا)	l/min
8	
أداء الجهاز	
ضغط التشغيل	MPa
7,4	
الضغط الأقصى المسموح به	MPa
11,0	
كمية الإمداد، المياه	l/min
5,5	
كمية الإمداد القصى	l/min
6,0	
كمية الإمداد، مواد التنظيف	l/min
0,3	
قوة ارتجاع مسدس الضغط العالي	N
11	
الأبعاد الوزن	
وزن التشغيل النمطي	kg
4,8	
الطول	mm
246	
العرض	mm
280	
الارتفاع	mm
586	
القيم المسجلة وفقاً للمواصفة EN 60335-2-79	
القيمة الاهتزازية لليد والذراع	m/s <sup>2</sup>
<2,5	
K قيمة الشك	m/s <sup>2</sup>
0,3	
مستوى انبعاث الصوت L <sub>PA</sub>	dB(A)
74	
قيمة الشك K <sub>PA</sub>	dB(A)
3	
مستوى قدرة الصوت L <sub>WA</sub> + قيمة الشك K <sub>WA</sub>	dB(A)
90	

المواصفات الفنية خاضعة للتعديل.

## تنظيف فلتير مواد التنظيف

قم بتنظيف فلتير مواد التنظيف قبل تخزينه لفترة طويلة.

1. سحب الفلتير من خرطوم شفط مواد التنظيف.

2. تنظيف الفلتير تحت المياه الجارية.

## صورة إيضاحية M

## المساعدة في حالة حدوث خلل

في الغالب تكون للاختلالات أسباب بسيطة يمكنك التغلب عليها ببساطة بالاستعانة بالعرض العام التالي. في حالات الشك أو عند حدوث اختلالات غير مذكورة هنا فيرجى التوجه إلى خدمة العملاء المعتمدة.

## ⚠ خطر

### خطر الإصابة بصدمة كهربائية

الإصابة بسبب ملامسة أجزاء موصلة للكهرباء

قم بإغلاق الجهاز.

اسحب قابس الشبكة.

### الجهاز لا يعمل

1. ضغط رافعة مسدس الضغط العالي.

الجهاز يعمل.

2. التأكد من توافق بيانات الجهد الموجودة على لوحة الطراز مع جهد مصدر التيار.

3. افحص وصلة الكهرباء من حيث وجود أضرار.

### الجهاز لا يعمل بالضغط

الإمداد بالمياه منخفض للغاية

1. فتح صنبور المياه بالكامل.

2. قم بفحص الإمداد بالمياه من حيث وجود كمية الإمداد الكافية.

المصفاة في وصلة المياه متسخة.

1. سحب المصفاة في وصلة المياه باستخدام زرديّة.

2. تنظيف المصفاة تحت المياه الجارية.

يوجد هواء في الجهاز.

1. تهوية الجهاز:

a تشغيل الجهاز دون أنبوب نفث موصل لمدة دقيقتين بحد أقصى.

b اضغط على مسدس الضغط العالي، وانتظر حتى تخرج منه المياه دون فقاعات.

c توصيل أنبوب النفث.

### تقلبات شديدة في الضغط

1. تنظيف فوهة الضغط العالي:

a قم بإزالة الانساختات من ثقب الفوهة باستخدام إبرة.

b شطف فوهة الضغط العالي بالمياه من الأمام.

2. فحّص كمية الإمداد بالمياه.

### الجهاز يسري

1. وجود تسريب طفيف في الجهاز هو أمر ضروري فنيًا. في حالة وجود تسريب كثيف يجب التواصل مع خدمة العملاء المعتمدة.

### يجب عدم شفط مواد التنظيف

1. استخدام أنبوب النفث Click-Vario Power وإدارته إلى وضع "MIX".

2. تنظيف الفلتير في خرطوم شفط مواد التنظيف.

3. افحص خرطوم الشفط الخاص بمواد التنظيف في حيث وجود ثبات.

## الضمان

يسري في كل دولة شروط الضمان التي تضعها شركة التسويق المتخصصة التابعة لنا. نحن نتولى إصلاح الأخطاء التي قد تطرأ على

جهازك خلال فترة الضمان بدون مقابل، عندما يكون سبب هذه

الأعطال ناجم عن عيب في المواد المستخدمة أو في عملية

التصنيع. في حالة استحقاق الضمان، توجه من فضلك بقسيمة

الشراء إلى أقرب موزع أو مركز خدمة عملاء معتمد.

(العنوان على الصفحة الخلفية)

## ⚠️ خطر

## عدم مراعاة صفحة بيانات السلامة

أضرار صحية شديدة بسبب الاستخدام غير المطابق للغرض لمواد التنظيف  
احرص على مراعاة منشور بيانات السلامة الصادر عن الجهة الصانعة لمواد التنظيف، ولا سيما إرشادات تجهيزات الحماية الشخصية.

## إرشاد

يمكن خلط مواد التنظيف فقط مع درجات الضغط المنخفضة.

## إرشاد

مواد تنظيف من KÄRCHER تتضمن تنفيذ الأعمال دون اختلالات. يرجى طلب المشورة أو الكاتالوج الخاص بنا أو منشورات معلومات مواد التنظيف.

1. قم بسحب خرطوم الشفط الخاص بمواد التنظيف بالطول المرغوب به من المبيت.

## صورة إيضاحية 1

2. قم بتعليق خرطوم الشفط الخاص بمواد التنظيف في الخزان المزود بمواد التنظيف.

3. استخدام أنبوب النفث Click-Vario Power.

4. إدارة أنبوب النفث إلى الوضع "MIX".

إثناء التشغيل يتم خلط محلول مواد التنظيف مع شعاع المياه. يمكن استخدام فوهة الرغوة بشكل اختياري.

a توصيل فوهة الرغوة مع زجاجة مواد التنظيف.  
b أدخل فوهة الرغوة في مسدس الضغط العالي وتبناها من خلال إدارتها بزاوية 90°.

## صورة إيضاحية 1

## طريقة التنظيف الموصى بها

1. ريش المنظف باقتصادية على السطح الجاف واتركه ليظهر أثره (لا يحف).

2. اشطف الأسطح المحررة بتيار الضغط العالي.

## بعد التشغيل مع مواد التنظيف

1. اشطف الجهاز لمدة حوالي 30 ثانية بالمياه النقية.

## قطع عملية التشغيل

1. تحرير ذراع مسدس الضغط العالي.

عند تحرير الذراع، يتم غلق الجهاز يتم الحفاظ على الضغط العالي في النظام.

2. قفل ذراع مسدس الضغط العالي.

3. صورة إيضاحية K  
ادخل مسدس الضغط العالي مع أنبوب النفث في موضع الإيقاف.

4. عند فترات التوقف عن العمل لمدة تزيد عن 5 دقائق أغلق الجهاز "OFF/0".

## إيقاف التشغيل

## ⚠️ تنويه

## الضغط في النظام

الإصابة بسبب تيار المياه المتدفقة بضغط عالي بشكل غير متحكم به

لا تفصل خرطوم الضغط العالي من مسدس الضغط العالي أو من الجهاز إلا في حالة عدم وجود ضغط في النظام.

1. تحرير ذراع مسدس الضغط العالي.

2. أغلق صنوبر المياه.

3. ضغط ذراع مسدس الضغط العالي لمدة 30 ثانية.

يتم تبديد الضغط المتبقي في الجهاز.

4. تحرير ذراع مسدس الضغط العالي.

5. قفل ذراع مسدس الضغط العالي.

6. فصل الجهاز عن مصدر الإمداد بالمياه.

7. أطفئ الجهاز "OFF/0".

8. سحب قابس الشبكة من المقبس.

## النقل

## ⚠️ تنويه

## عدم مراعاة الوزن

خطر الإصابة وخطر التعرض لأضرار  
احرص عند النقل على مراعاة وزن الجهاز.

## حمل الجهاز

1. رفع وحمل الجهاز من مقبض الحمل.

## سحب الجهاز

1. سحب مقبض النقل حتى يثبت بصوت مسموع.

2. سحب الجهاز من مقبض النقل.

## نقل الجهاز في السيارة

1. تأمين الجهاز ضد الانزلاق، والانقلاب.

## التخزين

## ⚠️ تنويه

## عدم مراعاة الوزن

خطر الإصابة وخطر التعرض لأضرار  
احرص عند التخزين على مراعاة وزن الجهاز.

## حفظ الجهاز

1. وضع الجهاز على أرضية مستوية.

2. فصل أنبوب النفث عن مسدس الضغط العالي.

3. فصل مسدس الضغط العالي عن خرطوم الضغط العالي.

4. فصل خرطوم الضغط العالي عن الجهاز.

5. قم بتخزين خرطوم الضغط العالي على الجهاز.

6. قم بحفظ وصلة الكهرياء والملحقات في الجهاز.

قبل فترات التخزين الطويلة، يرجى مراعاة الإرشادات الإضافية، انظر فصل العناية والصيانة.

## الحماية من التجمد

## تنبيه

## خطر التجمد

يمكن أن تلف الأجهزة التي لم يتم تفرغها بشكل كامل تحت تأثير التجمد.

عليك تفرغ الجهاز والملحقات بشكل كامل.

عليك حماية الجهاز من التجمد.

يجب القيام بما يلي:

● فصل الجهاز عن مصدر الإمداد بالمياه.

● خرطوم الضغط العالي مفصول.

1. تشغيل الجهاز "I/ON".

2. انتظر لمدة دقيقة على الأقل لكي لا تخرج أي مياه من وصلة الضغط العالي.

3. إيقاف الجهاز.

4. حفظ الجهاز بملحقاته الكاملة في غرفة مؤمنة محمية من التجمد.

## العناية والصيانة

## ⚠️ خطر

## خطر الإصابة بصدمة كهربائية

الإصابة بسبب ملامسة أجزاء موصلة للكهرباء

قم بإغلاق الجهاز.

اسحب قابس الشبكة.

الجهاز ليس به أي عيوب، هذا يعني أنه من غير الضروري أن تقوم بأي أعمال صيانة منتظمة.

## نظف المصفاة في وصلة المياه

## تنبيه

## مصفاة متضررة في وصلة المياه

تضرر الجهاز بسبب تلوث المياه

قم بغض المصفاة قبل تركيبها في وصلة المياه من حيث وجود أضرار بها.

عند الحاجة قم بتنظيف المصفاة في وصلة المياه.

1. نزع الوصلة الخاصة بتوصيل المياه.

2. سحب المصفاة باستخدام زردية.

3. تنظيف المصفاة تحت المياه الجارية.

## صورة إيضاحية 1

4. تركيب المصفاة في وصلة المياه.

1. إدخال خرطوم الحديقة فى التوصيلة الخاصة بوصلة المياه.
2. توصيل خرطوم الحديقة بصبور المياه.
3. فتح صنبور المياه بالكامل.

### صورة إيضاحية G

## التشغيل

### تنبيه

#### المضخة تدور دون مياه


#### تضرر الجهاز

إذا لم يكون الجهاز أي ضغط فى غضون دقيقتين، قم إذاً بفلق الجهاز واتبع التعليمات الواردة فى فصل المساعدة فى حالة حدوث خلل.

### نظام Power Control

#### إرشاد

يمكن أن تختلف حساسية المواد بشكل كبير اعتماداً على العمر الزمنى والحالة. وبالتالي فإن التوصيات غير ملزمة.

اليان	مستويات الضغط	موصى بها على سبيل المثال
	HARD	للتراسات الحجرية المرصوفة بأحجار رصف أو باطون مغسول، الأسفلت، الأسطح المعدنية، أوانى الحدائق (عربة بدوية، مجرفة، إلخ.)
	MEDIUM	سيارات / دراجات تارية، أسطح من الرميذ، الجدران المليسة، أاث بلاستيكي
	SOFT	للأسطح الخشبية والدراجات ومفروشات من القش
	MIX	التشغيل باستخدام مواد تنظيف

### التشغيل بالضغط العالي

### تنبيه

#### تضرر السطح الحساس أو المطلي

تتعرض الأسطح للضرر بسبب المسافة القليلة لشعاع النفث، أو عن طريق اختيار أنبوب نفث غير مناسب. حافظ على مسافة 30 سم على الأقل فى حالة تنظيف الأسطح المطلية.

لا تقم بتنظيف إطارات السيارات، أو الطلاء، أو الأسطح الحساسة مثل الخشب باستخدام ساحق الاتساخات.

1. أدخل أنبوب النفث فى مسدس الضغط العالي وثبته من خلال إدارته بزاوية 90°.
2. تشغيل الجهاز ("I/ON").
3. فتح رافعة مسدس الضغط العالي.
4. ضغط رافعة مسدس الضغط العالي. الجهاز يعمل.

### التشغيل باستخدام فرشاة الغسل

### تنبيه

#### تضرر الطلاء

تضرر السطح بسبب فرشاة الغسل المتسخة

تأكد من أن فرشاة الغسل خالية من الاتساخات، أو غير ذلك من الجزيئات قبل استخدامها.

#### إرشاد

- عند استخدام فرشاة الغسل يعمل الجهاز بالضغط المنخفض. وفى هذا الصدد يمكن خلط مواد التنظيف مع ذلك.
1. أدخل فرشاة الغسل فى مسدس الضغط العالي وثبته من خلال إدارته بزاوية 90°.

### مفتاح الجهاز

مفتاح الجهاز يمنع تشغيل الجهاز دون قصد.

فقل مسدس الضغط العالي

الفقل بحجب الرافعة، ومسدس الضغط العالي، ويمنع بدء تشغيل الجهاز دون قصد.

### وظيفة الإيقاف التلقائي

عند تحرير الرافعة مع مسدس الضغط العالي، يوقف مفتاح الضغط المضخة، ويوقف شعاع الضغط العالي. عند الضغط على الذراع، يتم تشغيل المضخة ثانية.

## رموز على الجهاز

لا توجه شعاع الضغط العالي على الأشخاص، أو الحيوانات، أو أي معدات كهربائية فعالة أو على الجهاز نفسه.

حماية الجهاز من التجمد.

لا يسمح بتوصيل الجهاز مباشرة بشبكة مياه الشرب العامة.



## التركيب

للاشكال، انظر صفحة الصور.

قبل بدء التشغيل يجب بتركيب الأجزاء المرفقة بالجهاز.

### تركيب العجلات

1. تثبيت وتأمين عجلات الجهاز.

### صورة إيضاحية B

### تركيب المقبض

1. إدخال مقبض النقل.

2. إدخال مقبض الحمل.

### صورة إيضاحية C

### تركيب التوصيلات الخاصة بوصلة المياه

1. ربط التوصيلات الخاصة بوصلات المياه فى موضع وصلات المياه بالجهاز.

### صورة إيضاحية D

## بدء التشغيل

1. وضع الجهاز على أرضية مستوية.
2. إدخال خرطوم الضغط العالي فى التوصيل السريع حتى يثبت بشكل مسموع.
3. ضغط مخبض خرطوم الضغط العالي وسحبه من مسدس الضغط العالي.
4. صورة إيضاحية F إدخال خرطوم الضغط العالي فى مسدس الضغط العالي.
5. ضغط المحبس حتى سماع صوت تثبته.
6. التوصيل الأمان للسحب من خرطوم الضغط العالي.
7. إدخال قابس الشبكة فى المقبس.

### الإمداد بالمياه

لمعرفة قيم التوصيل انظر لوحة الصنع أو فصل البيانات الفنية. مراعاة تعليمات مؤسسة التزويد بالمياه.

### تنبيه

#### الأضرار بسبب المياه الملونة

الاتساخات فى المياه قد تؤدي إلى تضرر المضخة والملحقات. لتوفير الحماية توصي KÄRCHER باستخدام فلتر المياه طراز KÄRCHER (الملحقات الخاصة، رقم الطلب 059-4.730).

### التوصيل بصبور المياه

### تنبيه

قارئة خرطوم مع جهاز Aquastop بوصلة مياه الجهاز

تضرر المضخة

لا تستخدم أبداً قارئة خرطوم مع جهاز Aquastop بوصلة مياه الجهاز.

يمكنك استخدام قارئة جهاز Aquastop على حنفية المياه.

## الملحقات التكميلية وقطع الغيار

استخدام الملحقات التكميلية الأصلية وقطع الغيار الأصلية فقط، والتي تضمن تشغيل الجهاز بشكل آمن وخالٍ من الاختلالات. تجد المعلومات الخاصة بالملحقات التكميلية وقطع الغيار على الموقع [www.kaercher.com](http://www.kaercher.com).

## محتوى التسليم

محتوى تسليم الجهاز مصور على العبوة. تأكد من وجود جميع محتويات العبوة عند فتحها. وفي حالة نقص أية ملحقات تكميلية أو اكتشاف أي تلف بها ناتج عن عملية النقل، يرجى إخطار البائع.

## مواصفات الجهاز

يتم في دليل التشغيل هذا شرح التجهيزات الكاملة. وفقاً للموديل، ستكون هناك اختلافات في نطاق التوريد (انظر العبوة).

الأشكال، انظر صفحة الصور  
صورة إيضاحية A

- 1 عجلة النقل
- 2 حفظ أنابيب النفت
- 3 حفظ / وضع ركن مسدس الضغط العالي
- 4 أنبوب النفت Power Control كاشط الأوساخ للإتساخات العتيدة، مستوى الضغط: HARD
- 5 أنبوب النفت Click-Vario Power لطاقعة Vario Power لمعظم مهام التنظيف الشائعة، مستويات الضغط: HARD / MEDIUM / SOFT / MIX
- 6 مسدس ضغط عالي Power Control
- 7 مشبك توصيل / لفصل خرطوم الضغط العالي
- 8 ذراع مسدس الضغط العالي
- 9 قفل مسدس الضغط العالي
- 10 أدر مفتاح الجهاز إلى الوضع "OFF" / "I/ON/0"
- 11 وصلة الشبكة مع قابس الشبكة
- 12 خطاف تخزين لخط توصيل الطاقة
- 13 مقبض الحمل
- 14 مقبض النقل، قابل للخلع
- 15 التوصيل السريع لخرطوم الضغط العالي
- 16 لوحة الطراز
- 17 خرطوم الضغط العالي
- 18 وصلة المياه مع مصفاة مربة
- 19 خرطوم شفت مواد التنظيف
- 20 توصيل وصلة المياه
- 21 \*\*خرطوم الحديقة المزود بطريقة توصيل متداولة  
- نسج مقوى  
- الحد الأدنى للقطر 1/2 بوصة (13 مم)  
- الحد الأقصى للطول 7.5 م
- 22 \*فرشاة الغسيل مناسبة للعمل مع مواد التنظيف
- 23 \*فوهة للرغوة الخاصة بمواد التنظيف الرغوية القوية
- 24 \*حاوية مواد التنظيف

\* اختياري، \*\* ضروري بشكل إضافي

## تجهيزات السلامة

### ⚠ تنويه

تجهيزات السلامة التالفة أو المتغيرة

تجهيزات السلامة تخدم حمايتك.

لا تقم بتغيير أو تجاوز تجهيزات السلامة أبداً.

بها الجهة الصانعة. • خطر الاحتراق. عند فصل مدخل الخرطوم أو خرطوم الضغط العالي يمكن أن يخرج ماء ساخن من الوصلات بعد التشغيل.

⚠ تنويه • لا تستخدم الجهاز أبداً بدون قاطع النظام بشبكة مياه الشرب وفقاً للوائح السارية. تأكد من أن وصلة الشبكة المائنة بمنزلك التي تم توصيلها بجهاز التنظيف بالضغط العالي مزودة بفاصل النظام وفقاً لمعيار EN 12729 Typ BA. • الماء التي تمر عن طريق فاصل النظام لا تصلح بعد ذلك للشرب. • لا تترك الجهاز دون مراقبة أبداً طالما يكون مشغلاً. • يتم عن طريق المياه الخارجة من فوهة الضغط العالي توليد قوة ارتدادية بمسدس الضغط العالي. قم بتأمين مكان وفوقك بشكل آمن وامسك مسدس الضغط العالي وأنبوب الشعاع بشكل ثابت. • حوادث وأضرار ناجمة عن سقوط الجهاز. يجب عليك ضمان السلامة قبل إجراء أي عمل على الجهاز أو قبل استخدام الجهاز.

⚠ تنبيه • لا تستخدم الجهاز عندما تكون درجات الحرارة تحت 0 ° مئوية.

### التشغيل باستخدام مادة تنظيف

⚠ تحذير • يمكن أن يؤدي استعمال مواد التنظيف غير الصحيحة إلى حدوث إصابات خطيرة أو إلى حدوث التسمم.

⚠ تنويه • حزن مواد التنظيف بعيداً عن متناول الأطفال. • استخدم مواد التنظيف الموردة مع الجهاز أو التي تتصح بها الجهة الصانعة فقط. استخدم مواد التنظيف الأخرى أو المواد الكيميائية يمكن أن تضر سلامة الجهاز.

### العناية والصيانة

⚠ تحذير • افصل القابس الكهربائي قبل إجراء أي أعمال الصيانة والعناية.

⚠ تنويه • عليك إجراء أعمال الإصلاح أو الأعمال الأخرى على القطع الكهربائية من قبل مركز خدمة معتمدة فقط.

⚠ تنبيه • لا تستخدم مادة الأسيتون أو مواد حمضية غير مخففة أو مواد مذيبة لأن هذه المواد ستضر بالمواد المستخدمة في الجهاز.

### الشحن

### ⚠ تنويه

• خطر الحوادث والإصابة. عليك مراعاة وزن الجهاز عند عملية الشحن والتخزين، انظر فصل البيانات الفنية في دليل التشغيل.

### حماية البيئة

المواد المستخدمة في التغليف قابلة لإعادة التدوير. يرجى التخلص من مواد التغليف بطريقة تحافظ على البيئة. تحتوي الأجهزة الكهربائية والإلكترونية على مواد قيمة قابلة لإعادة التدوير وغالباً ما تحتوي كذلك على أجزاء مثل البطاريات، أو المراكمات أو الزيوت والتي قد تشكل خطورة على صحة الإنسان والبيئة في حالة التعامل معها أو إذا تم التخلص منها بصورة خاطئة. لا أن هذه الأجزاء ضرورية لتشغيل الجهاز بصورة سليمة. لا يجوز التخلص من الأجهزة المميزة بهذا الرمز مع النفايات المنزلية.

أعمال التنظيف التي يتكون فيها مياه عادمة تحتوي على زيوت، مثل غسل المحركات، وغسل الهيكل السفلي، لا يسمح بإجرائها إلا في أماكن الغسل المزودة بفاصل للزيت. لا يسمح بالعمل باستخدام مواد التنظيف إلا في أماكن العمل غير المنفذة للسوائل مع وجود وصلة بغتاة المياه المتسخة. لا يسمح بوصول مواد التنظيف إلى المياه أو إلى التربة السطحية.

إرشادات حول مواد المحتويات (REACH)

تجد المعلومات المحدثة حول المكونات على الموقع:

[www.kaercher.de/REACH](http://www.kaercher.de/REACH)

### الاستخدام المطابق للتعليمات

استخدم منظفات الضغط العالي للاستعمال المنزلي فقط. منظفات الضغط العالي مخصصة لتنظيف المباني والسارات والمباني والعدد والواجهات والشرفات ومعدات الحدائق وغيرها وذلك باستخدام الضغط العالي لشعاع المياه.

يحتوي تطبيق KÄRCHER Home & Garden App على:

- معلومات حول التركيب والتنشغيل
  - معلومات حول مجالات التطبيق
  - نصائح وحيل
  - أسئلة متكررة مع المساعدة على إصلاحها بالتفصيل
  - الاتصال بمركز خدمة KÄRCHER
- يمكن تنزيل التطبيق هنا:



### علامة تجارية

- تطبيقات جوجل TM و أندرويد TM هي علامات تجارية مسجلة لشركة Google Inc.
- أبل® و متجر تطبيقات® هي علامات تجارية مسجلة لشركة Apple Inc.

### ارشادات السلامة

- اقرأ فصل السلامة هذا ودليل التشغيل الأصلي هذا أيضا قبل استخدام الجهاز لأول مرة. ثم تصرف طبقا لذلك. حافظ على دليل التشغيل الأصلي للاستخدام لاحقاً أو تسليمه للمالك التالي.
- عليك إلى جانب الارشادات الواردة في دليل التشغيل مراعاة القواعد العامة للسلامة والوقاية من الحوادث والتي يحددها المشرع القانوني.
- تشير علامات الارشاد والتحذير الموجودة على الجهاز إلى الارشادات الهامة للتشغيل الآمن.

### درجات الخطر

### ⚠️ خطر

- إشارة إلى خطر مباشر وشيك الحدوث وقد يؤدي إلى إصابات جسدية بالغة أو إلى الوفاة.

### ⚠️ تحذير

- إشارة إلى موقف قد تحفه المخاطر وقد يؤدي إلى إصابات جسدية بالغة أو إلى الوفاة.

### ⚠️ تنويه

- إشارة إلى موقف قد تحفه المخاطر وقد يؤدي إلى إصابات بسيطة.

### تتبيه

- إشارة إلى موقف قد تحفه المخاطر وقد يؤدي إلى حدوث أضرار مادية.

### معدات الحماية الشخصية

### ⚠️ تنويه

- ارتدي ملابس واقية مناسبة ونظارة واقية لحماية نفسك من رزاز الماء والأوساخ المتطايرة. • يمكن أن ينشأ هباء جوي/أيروسول أثناء استعمال جهاز التنظيف بالضغط العالي. يمكن أن يؤدي استنشاق الهباء الجوي إلى حدوث أضرار صحية. اعتماداً على نوع الاستخدام، يمكن أن يساعد استعمال قوحدات محمية بالكامل (منضج سطحي مثلاً) في تقليل انبعاث الهباء الجوي بشكل كبير. ارتدي تيعا للماكن المراد تنظيفه، قناع واقي للتنفس من فئة FFP 2 أو ما يعادلها لحماية نفسك من استنشاق الهباء الجوي عندما يكون استخدام قوعدة محمية بالكامل غير ممكناً.

- ⚠️ **خطر** • خطر الاختناق. يجب عليك إبعاد أكياس التعبئة والتغليف عن متناول الأطفال.

⚠️ **تحذير** • استخدم الجهاز وفقاً للعرض المحدد له فقط. عليك مراعاة الظروف المحيطة والانتباه عند استخدام الجهاز إلى الأشخاص الآخرين وخاصة الأطفال منهم. • يسمح للأشخاص الذين لديهم قدرات بدنية أو حسية أو عقلية محدودة أو الذين لا تتوافر لديهم الخبرة والمعرفة الكافية، أن يستخدموا الجهاز بشرط الإشراف عليهم بشكل صحيح، وإذا تم بعد حصولهم على تعليمات بشأن كيفية الاستخدام الآمن للجهاز من قبل شخص مسؤل عن سلامتهم وعرفهم بالمخاطر المرتبطة به. • لا يسمح للأطفال بتشغيل الجهاز. • يجب مراقبة الأطفال للتأكد من عدم لعبهم بالجهاز.

- ⚠️ **تنويه** • تجهيزات السلامة تخدم حمايتك. لا تقم بتغيير أو تجاوز تجهيزات السلامة أبداً.

### خطر الصعق الكهربائي

⚠️ **خطر** • قم بتوصيل الجهاز بتيار متردد فقط. يجب أن يتوافق الجهد الموجود على لوحة الطراز مع جهد مصدر التيار. • استخدم الجهاز عن طريق قاطع الدائرة الكهربائية فقط (30 مللي أمبير حد أقصى). • لا لمس القابس الكهربائي والمقبس بأيدي مبتلة بالماء نهائياً. • يجب أن يكون القابس الكهربائي وقارئة كابل التمديد الكهربائي مقاومة ضد الماء ولا يسمح بوضعها في الماء. لا يسمح بوضع القارئة على الأرض. استخدم بكرات الكابل الكهربائي التي تضمن تواجدها القوايس الكهربائية بقدر 60 مم فوق الأرض على الأقل. • يجب أن تكون جميع الأجزاء الموصلة للتيار الكهربائية في مكان العمل محمية من أشعة الماء.

⚠️ **تحذير** • قم بتوصيل الجهاز بوصلة كهربائية يكون تم شرائها من متجر متخصص ببيع الأجهزة الكهربائية وفقاً للمعيار IEC 60364-1. • تأكد قبل كل استخدام للجهاز من عدم وجود تلف في كابل التيار الكهربائي والقابس. عند تعرض كابل التيار الكهربائي للتلط، يجب استبداله على الفور عن طريق الشركة المصنعة، أو مركز خدمة العملاء المعتمد، أو كهربائي متخصص، وذلك لتجنب أي مخاطر. • لا تقم بإلحاق أضرار أو إنلاف كابل التوصيل الكهربائي وكابل التمديد الكهربائي عن طريق الدهس، سحق، الشد أو فعل شيء به من هذا القبيل. قم بحماية كابل التوصيل الكهربائي من الحرارة، الزيت والحواف الحادة. • كوابل التمديد الكهربائية غير المناسبة يمكن أن تكون مصدر للخطر. استخدم في الهواء الطلق لذلك كوابل التمديد الكهربائية المرخصة والمعززة ومزودة بمقطع عرضي للكابل كافي: 1- 10 م: 1,5 م<sup>2</sup>، 2- 10-30 م: 2,5 م<sup>2</sup>

⚠️ **تنويه** • فك كابل التمديد الكهربائي دائماً بشكل كامل من بكرة الكابل الكهربائي. • يجب عند التوقف عن العمل لفترة استراحة طويلة وبعد الاستخدام إيقاف الجهاز عن طريق المفتاح الرئيسي / مفتاح الجهاز وكذلك فصل القابس الكهربائي أيضاً.

### التشغيل

⚠️ **خطر** • يمنع منعاً باتاً التشغيل في المناطق القابلة للانفجار. • لا تقم بسفط مواد مذيبة أو سوائل تحتوي على مواد مذيبة أو مواد حمضية غير مخففة أبداً. وهذه تشمل على سبيل المثال البنزين، مواد إضافية للألوان أو وقود التدفئة. الرذاذ قابل للاشتعال والانفجار وسام. • إطارات السيارات التالفة /صمامات الاطارات تشكل مصدر خطر على الحياة. إطارات السيارات /صمامات الاطارات يمكن أن تتضرر أو تتفجر عن طريق استخدام شعاع الضغط العالي. أول علامة على ذلك هو تغيير لون الاطار عليك المحافظة على مسافة 30 سم على الأقل من الشعاع عند تنظيف السيارة عن إطارات السيارة / صمامات الاطارات.

⚠️ **تحذير** • لا تستخدم الجهاز بالقرب من تواجد أشخاص آخرين لا يرتدون ملابس واقية مناسبة. • لا توجه شعاع الضغط العالي على نفسك مثلاً على ملابسك أو حذائك لتنظيفه. • لا توجه شعاع الضغط العالي على الأشخاص، الحيوانات، معدات كهربائية فعالة أو على الجهاز نفسه. • لا تقوم برش أي أشياء تحتوي على مواد ضارة بالصحة (الأسيت مثلاً). • تأكد قبل كل استخدام من أن الجهاز ومخلفاته في حالة سليمة وآمنة للتشغيل مثلاً خرطوم الضغط العالي، مسدس الضغط العالي وتجهيزات السلامة أيضاً. لا تستخدم الجهاز عند وجود تلف فيه. قم بتغيير الأجزاء التالفة فوراً. • استخدم خرطابم الضغط العالي والتجهيزات والقارئات التي تتصح



# THANK YOU!

## MERCI! DANKE! ¡GRACIAS!



Registrieren Sie Ihr Produkt und profitieren Sie von vielen Vorteilen.

Register your product and benefit from many advantages.

Enregistrez votre produit et bénéficiez de nombreux avantages.

Registre su producto y aproveche de muchas ventajas.

**[www.kaercher.com/welcome](http://www.kaercher.com/welcome)**

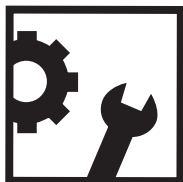


Bewerten Sie Ihr Produkt und sagen Sie uns Ihre Meinung.

Rate your product and tell us your opinion.

Évaluer votre produit et dites-nous votre opinion.

Reseñe su producto y díganos su opinión.



**[www.kaercher.com/dealersearch](http://www.kaercher.com/dealersearch)**

**Alfred Kärcher SE & Co. KG**

Alfred-Kärcher-Str. 28-40

71364 Winnenden (Germany)

